

MTG-GL-176

REPLACES AO1B-3B

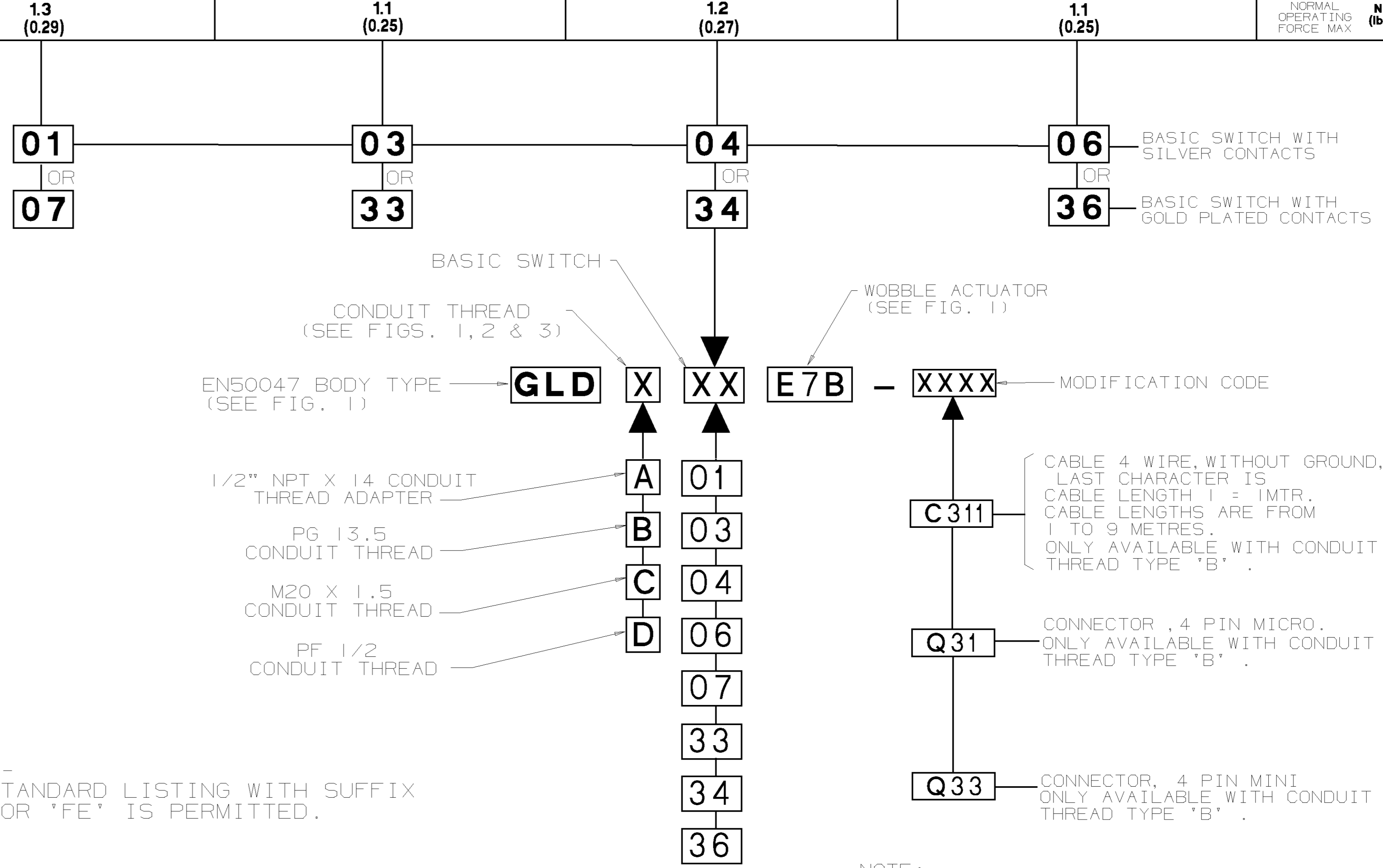
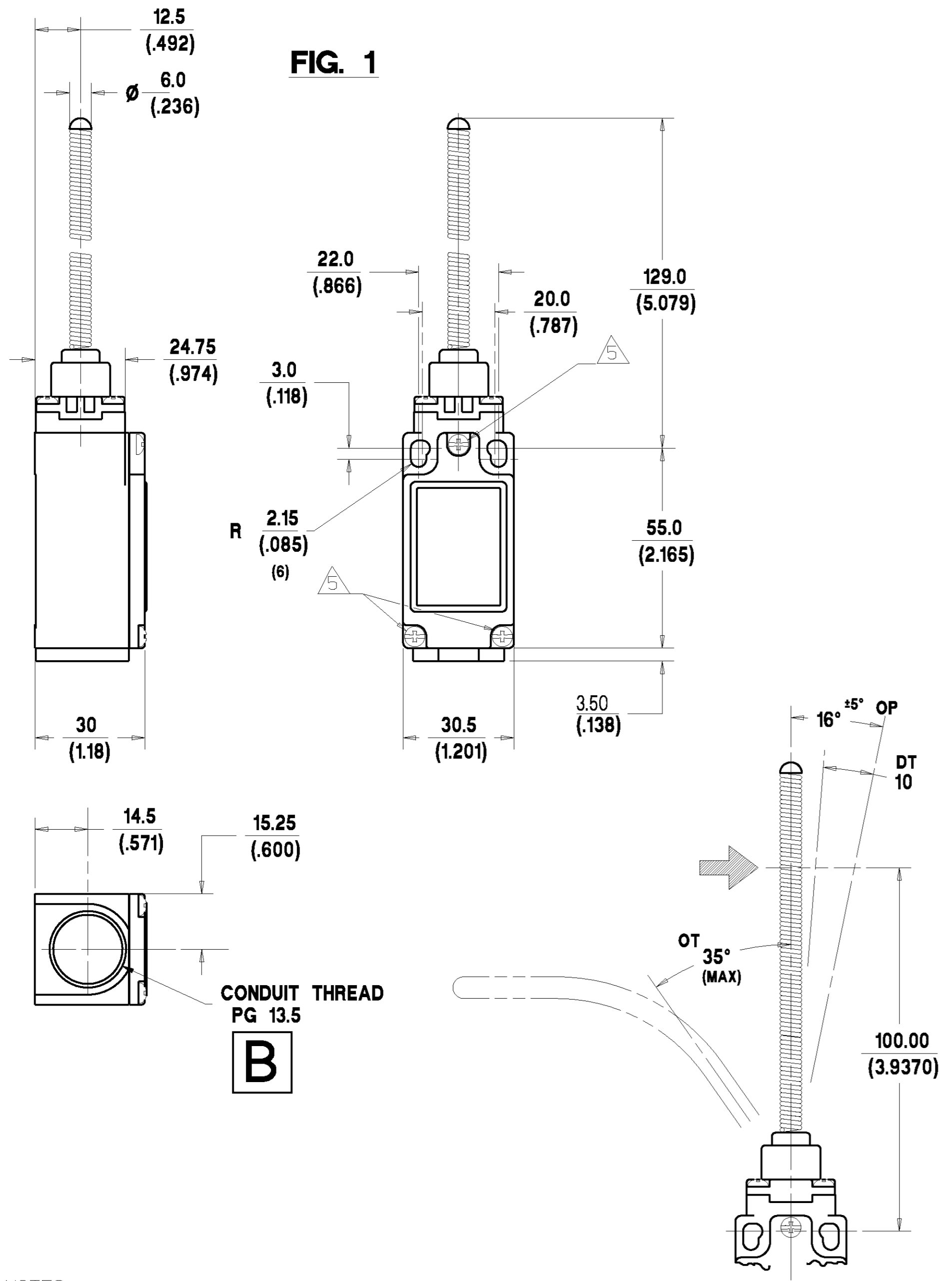
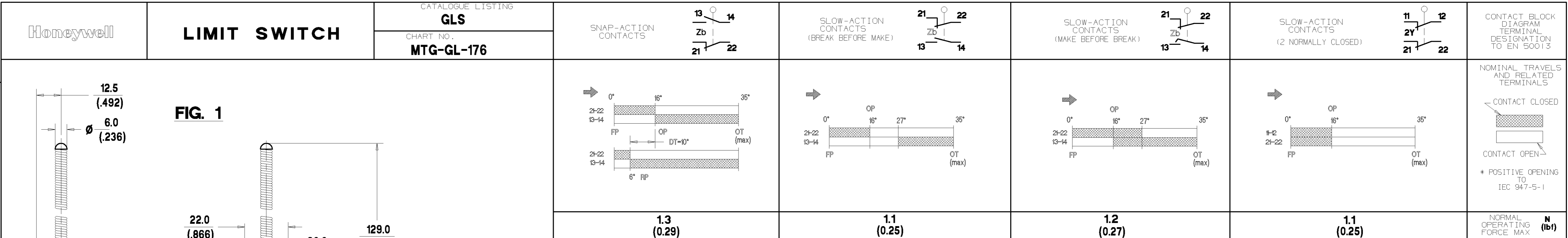
DRAWING NUMBER
9

ISSUE

RELEASE NUMBER
AO1B-3B

REVISIONS

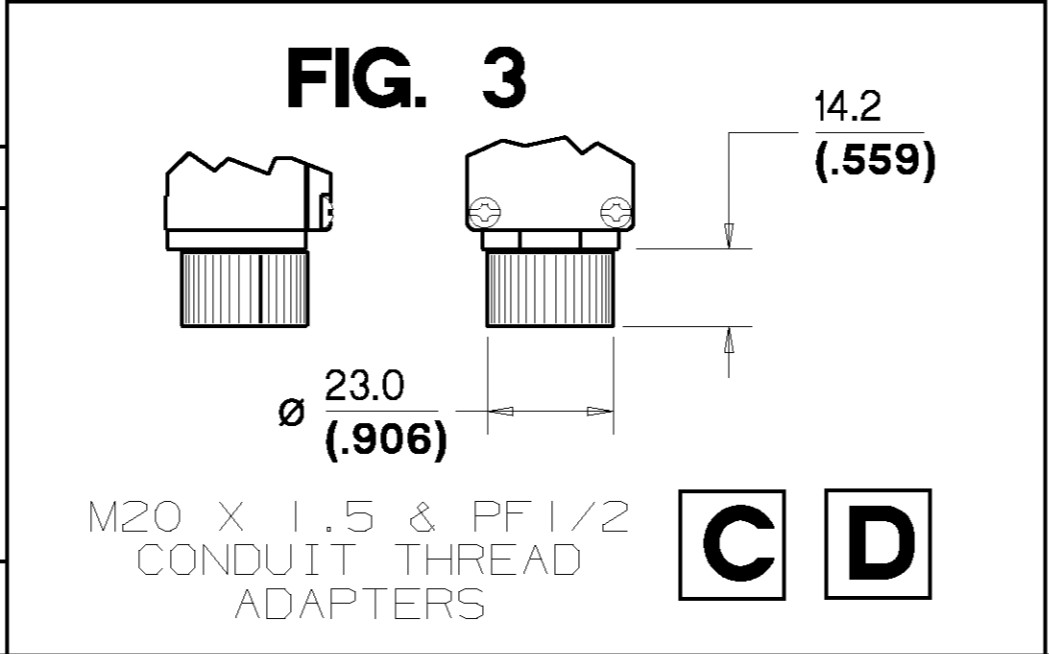
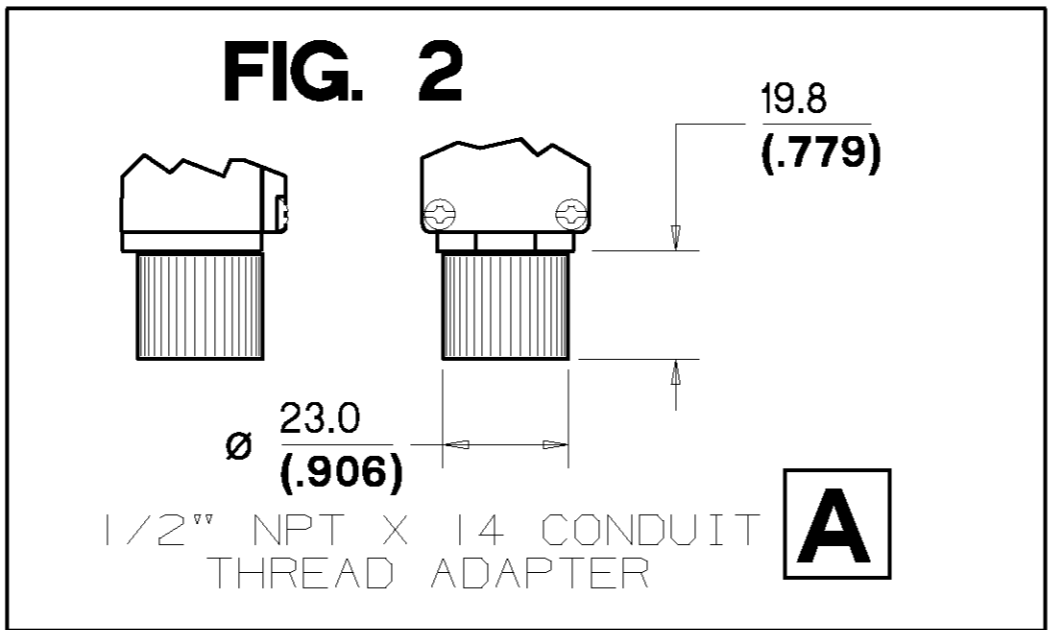
6	7/96
AO1B-262	
7	12/96
AO1B-293	
8	7/97
CO-000083	
9	CO/395
I WEIR 6/99	



NOTE :- ANY STANDARD LISTING WITH SUFFIX 'RS' OR 'FE' IS PERMITTED.

- NOTES :-
- MICRO SWITCH BLUE GLASS FILLED POLYESTER HOUSING & COVER. BLACK GLASS FILLED POLYAMIDE HEAD.
 - ENCLOSURE DOUBLE INSULATED TO IEC 539 CLASS II.
 - MINIMUM OPERATING VELOCITY (V_{min}) = 0.26 rad/s
MAXIMUM OPERATING VELOCITY (V_{max}) = 25 rad/s
MAXIMUM OPERATING FREQUENCY (F_{max}) = 250 OPS/MIN
 - FREE POSITION (FP), OPERATING POINT (OP), OVERTRAVEL (OT) AND PRETRAVEL (PT) ALL TO EN50047.
 - MAXIMUM TIGHTENING TORQUE FOR FIXING SCREW = 0.5Nm (4.4in.LB)

NO CHANGES CAN BE MADE TO THIS DRAWING WITHOUT JOINT NEWHOUSE/FREEPORT APPROVAL



NOTE: FOR CONNECTION DIAGRAMS AND ADDITIONAL ELECTRICAL, ENVIRONMENTAL & DIMENSIONAL INFORMATION SEE DRAWING GL-49212.

3/93	3/93	3/93	IEC 947-5-1 ELECTRICAL RATING		
DRAWN M. LOCH	CHECK I. WEIR	DESIGN J. BOYD	SILVER CONTACTS		GOLD PLATED CONTACTS
			AC	AC (FOR 2NC)	DC
A600	AC15	A500	AC15	0300	DC13
U _e	I _e	U _e	I _e	U _e	I _e
120	5	120	5	125	0.27
240	3	240	3	250	0.27
380	1.5	380	1.5		
480	1.0	480	1.0		
500	0.75	500	0.75		
600	0.5				
ENVIRONMENTAL			APPROVALS		
IP66 NEMA 1, 4, 12, 13			UL		
TEMP RANGE : -25°C TO 85°C -13°F TO 185°F					
STORAGE : -40°C TO 85°C -40°F TO 185°F			IEC 947-5-1 EN50047		
SHOCK : 50G PER IEC 68-2-27					
VIBRATION : 10G PER IEC 68-2-6					
SCALE 1:1			DIMENSIONS ARE IN MM/INCHES.		
THIRD ANGLE PROJECTION			MODIFY ON CAD SYSTEM ONLY		
THE COPYRIGHT OF THIS DRAWING IS THE PROPERTY OF HONEYWELL LTD. THE DRAWING IS SUPPLIED IN CONFIDENCE AND MUST NOT BE USED FOR ANY PURPOSE OTHER THAN THAT FOR WHICH IT IS SUPPLIED.					